

Chantelle
PARIS

SNOWLAB

eurekaling.com
225 de Liège Ouest, Suite 200, Montréal QC Canada, H2P 1H4, T (514) 385 3515

 EUREKA

©2012 Eureka Lighting
V1.0-201211

SNOWLAB

Ceiling Suspended

Hand blown glass bell pendant

2 models, 3 finishes, 6 possibilities

Halogen and die cast aluminum mounted

LED sources available

DSNL4000-BFH

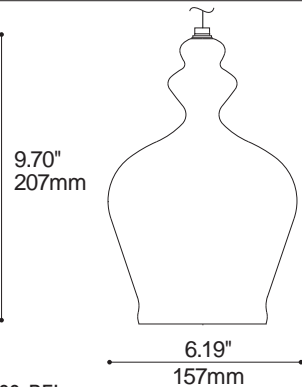
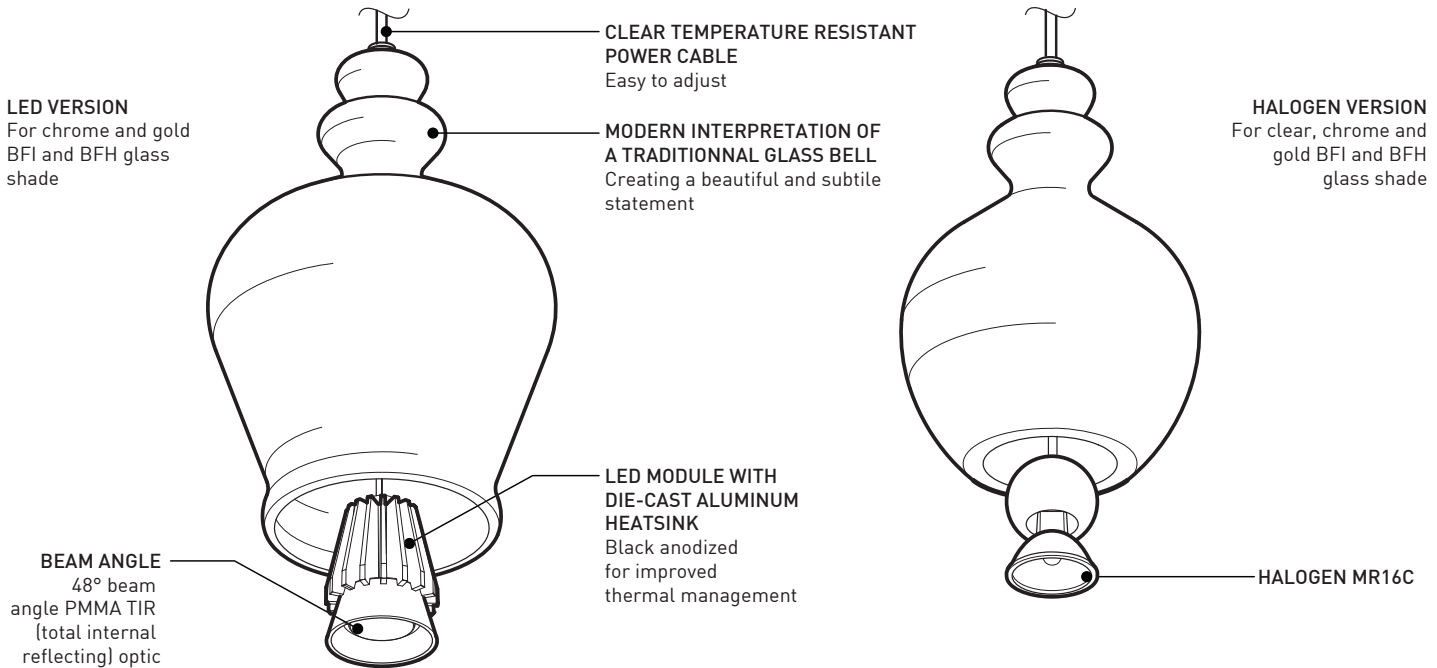


DSNL4000-BFI

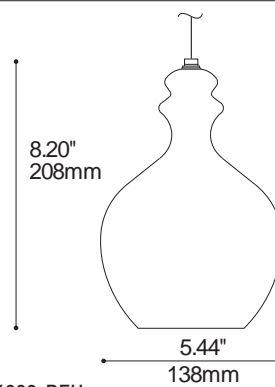


SNOWLAB

Ceiling Suspended Anatomy



DSNL4000-BFI



DSNL4000-BFH

SPECIFICATIONS

	LED	HALOGEN
LIGHT SOURCE	4 x Luxeon Rebel ES on MCPCB - total ± 4 w	22W - 40W
MODULE	UL recognized - made in USA	N/A
LUMENS (ESTIMATED)	376 lm (3000K) - 468 lm (4000K) initial	N/A
CRI	95 CRI (3000K) - 85 CRI (4000K)	N/A
ROHS	Compliant	
HEATSINK	Black anodized aluminium	N/A
LIGHT DISTRIBUTION	Direct-Indirect	
DIFFUSER	Translucent chrome and gold	Clear, translucent chrome and gold
OPTICS	LEDIL TIR - 48° beam angle	N/A
VOLTAGE	120V or 277V	120V or 277V
DRIVER	Lightech 350 mA	Dimmable electronic low voltage transformer
LM-79	In process	
WARRANTY	5 years (on electronic components)	3-5 years (on transformer, depending of the transformer)
CERTIFICATION	CSA recognized	



SNOWLAB 1 DSNL4000-BFI

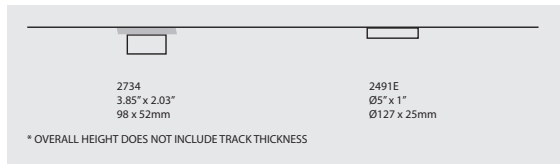
PROJECT PROJET
SPEC TYPE
NOTES



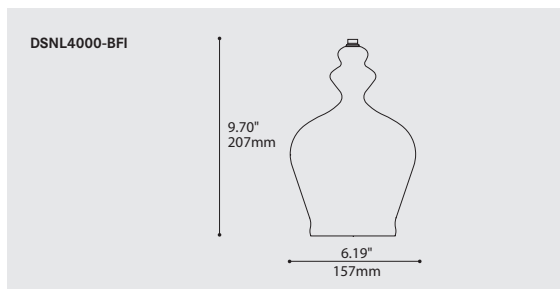
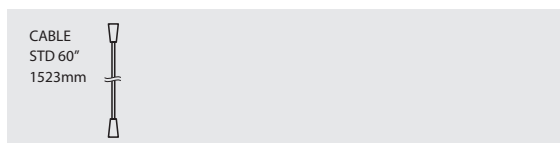
OVERALL HEIGHT HAUTEUR HORS TOUT

LIGHT SOURCE	HAL TRACK 1 CIRCUIT	HAL-LED
MOUNTING	2734	2491E
CABLE	71.70"	70.70"

MOUNTING OPTIONS OPTIONS DE MONTAGE



STEM OR CABLE OPTIONS OPTIONS DE TIGE OU CABLE



ORDERING SPECIFICATION	SPÉCIFICATION DE COMMANDE	CODE
MODEL MODÈLE	DSNL4000-BFI SNOWLAB 1	DSNL4000-BFI
LIGHT SOURCE SOURCE LUMINEUSE	(WATTAGE, LAMP TYPE, LAMP FORM, BASE TYPE, OTHER INFO)	
MR16C.50	50W, HAL, MR16C, GU5.3 BASE	
LED.4.30*	4W, LED 3000K (WARM)	
LED.4.40*	4W, LED 4000K (NEUTRAL)	
*NOT AVAILABLE WITH A TRACK ADAPTOR		
VOLTAGE VOLTAGE		
120V	120 VOLT	
277V*	277 VOLT	
*NOT AVAILABLE WITH A TRACK ADAPTOR		
CABLE CABLE		C
C	CLEAR CABLE, FIELD ADJUSTABLE	
CABLE LENGTH LONGUEUR CABLE		
60	60" CABLE (STD LENGTH)	
**	CUSTOM CABLE LENGTH (MAX 96" FOR HAL AND 120" FOR LED) (PLEASE SPECIFY) FOR OVERALL LENGTH PLEASE CONTACT YOUR EUREKA REPRESENTATIVE	
MOUNTING MONTAGE		
RC	ROUND CANOPY / PAVILLON ROND 1" CANOPY (2491E)	
TA1	TRACK ADAPTOR / ADAPTEUR DE RAIL* 1 CIRCUIT HAL 120/12V ADAPTOR (2734) *SEE TRACKS & ACCESSORIES PAGE 505	
TRACK ADAPTOR FINISH FINI ADAPTEUR DE RAIL (A)		
WH	WHITE	
BLK	BLACK	
M G	METALLIC GRAY	
* ^(A) FILL IN IF A TRACK ADAPTOR IS SELECTED, OTHERWISE LEAVE EMPTY		
STRUCTURE FINISH FINI STRUCTURE (B)		CHR
CHR	CHROME	
* ^(B) INCLUDING CANOPY FINISH IF A CANOPY IS SELECTED		
DIFFUSER FINISH FINI DIFFUSEUR		
TCHR	TRANSLUCENT CHROME	
TGOL	TRANSLUCENT GOLD	

PRODUCT CHARACTERISTICS CARACTÉRISTIQUES DU PRODUIT

Design:	Designed by Snowlab, this modern interpretation of a traditional glass bell is a beautiful and subtle statement
Suspension:	Easy to install and adjust custom clear silicone power cable
Light Source:	4W LED in 3000K (Warm white) or 4000K (Neutral white) and MR16 halogen
Structure:	Die-cast steel structure with chrome plated finish
Diffuser:	Available in translucent chrome or gold blown glass
Certified:	c-CSA-us
Conception:	Interprétation contemporaine et prestigieuse du traditionnel abat-jour de verre en cloche
Suspension:	Facile à installer et ajuster sur câble d'alimentation de silicone clair
Source lumineuse:	4W DEL disponible en 3000K (blanc chaud) ou 4000K (blanc neutre), halogène MR16
Structure:	Acier embouti chromé
Diffuseur:	Verre soufflé chrome ou doré translucide
Certifié:	c-CSA-us



SNOWLAB 2 DSNL4000-BFH

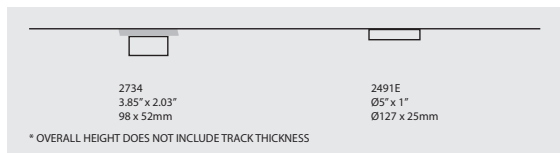
PROJECT PROJET
SPEC TYPE
NOTES



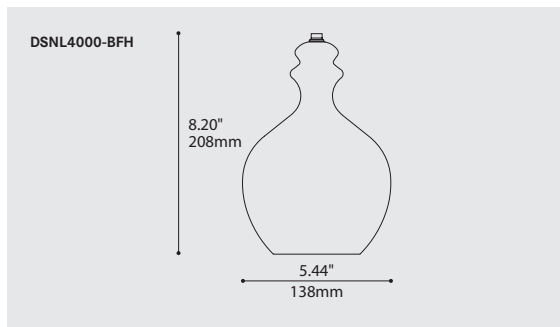
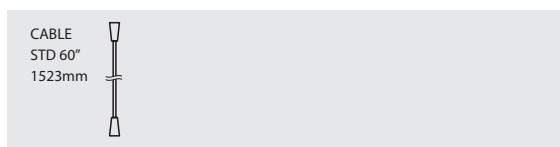
OVERALL HEIGHT HAUTEUR HORS TOUT

LIGHT SOURCE	HAL TRACK 1 CIRCUIT	HAL-LED
MOUNTING	2734	2491E
CABLE	70.20"	69.20"

MOUNTING OPTIONS OPTIONS DE MONTAGE



STEM OR CABLE OPTIONS OPTIONS DE TIGE OU CABLE



ORDERING SPECIFICATION	SPÉCIFICATION DE COMMANDE	CODE
MODEL MODÈLE	DSNL4000-BFH SNOWLAB 2	DSNL4000-BFH
LIGHT SOURCE SOURCE LUMINEUSE	(WATTAGE, LAMP TYPE, LAMP FORM, BASE TYPE, OTHER INFO)	
MR16C.50	50W, HAL, MR16C, GU5.3 BASE	
LED.4.30*	4W, LED 3000K (WARM)	
LED.4.40*	4W, LED 4000K (NEUTRAL)	
	*NOT AVAILABLE WITH A TRACK ADAPTOR	
VOLTAGE VOLTAGE		
120V	120 VOLT	
277V*	277 VOLT	
	*NOT AVAILABLE WITH A TRACK ADAPTOR	
CABLE CABLE		C
C	CLEAR CABLE, FIELD ADJUSTABLE	
CABLE LENGTH LONGUEUR CABLE		
60	60" CABLE (STD LENGTH)	
**	CUSTOM CABLE LENGTH (MAX 96" FOR HAL AND 120" FOR LED) (PLEASE SPECIFY) FOR OVERALL LENGTH PLEASE CONTACT YOUR EUREKA REPRESENTATIVE	
MOUNTING MONTAGE		
RC	ROUND CANOPY / PAVILLON ROND 1" CANOPY (2491E)	
TA1	TRACK ADAPTOR / ADAPTEUR DE RAIL* 1 CIRCUIT HAL 120/12V ADAPTOR (2734) *SEE TRACKS & ACCESSORIES PAGE 505	
TRACK ADAPTOR FINISH FINI ADAPTEUR DE RAIL (A)		
WH	WHITE	
BLK	BLACK	
M G	METALLIC GRAY	
	(A) FILL IN IF A TRACK ADAPTOR IS SELECTED, OTHERWISE LEAVE EMPTY	
STRUCTURE FINISH FINI STRUCTURE (B)		CHR
CHR	CHROME	
	(B) INCLUDING CANOPY FINISH IF A CANOPY IS SELECTED	
DIFFUSER FINISH FINI DIFFUSEUR		
TCHR	TRANSLUCENT CHROME	
TGOL	TRANSLUCENT GOLD	

PRODUCT CHARACTERISTICS CARACTÉRISTIQUES DU PRODUIT

Design:	Designed by Snowlab, this modern interpretation of a traditional glass bell is a beautiful and subtle statement
Suspension:	Easy to install and adjust custom clear silicone power cable
Light Source:	4W LED in 3000K (Warm white) or 4000K (Neutral white) and MR16 halogen
Structure:	Die-cast steel structure with chrome plated finish
Diffuser:	Available in translucent chrome or gold blown glass
Certified:	c-CSA-us
Conception:	Interprétation contemporaine et prestigieuse du traditionnel abat-jour de verre en cloche
Suspension:	Facile à installer et ajuster sur câble d'alimentation de silicone clair
Source lumineuse:	4W DEL disponible en 3000K (blanc chaud) ou 4000K (blanc neutre), halogène MR16
Structure:	Acier embouti chromé
Diffuseur:	Verre soufflé chrome ou or translucide
Certifié:	c-CSA-us



SNOWLAB



SNOWLAB

 EUREKA



SNOWLAB

 EUREKA

SNOWLAB



 EUREKA



SNOWLAB



SNOWLAB





SNOWLAB

 EUREKA